

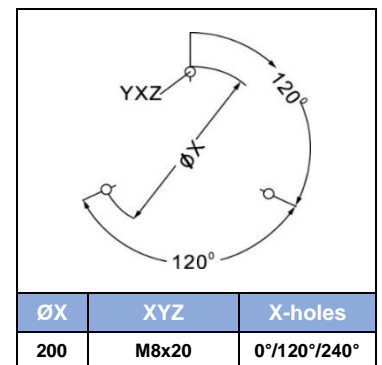
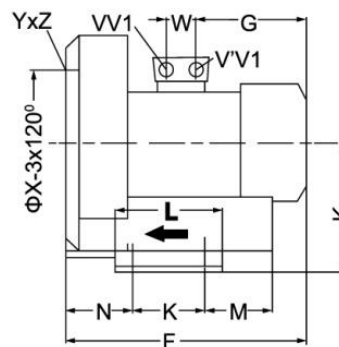
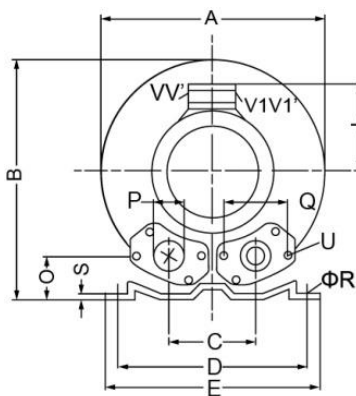
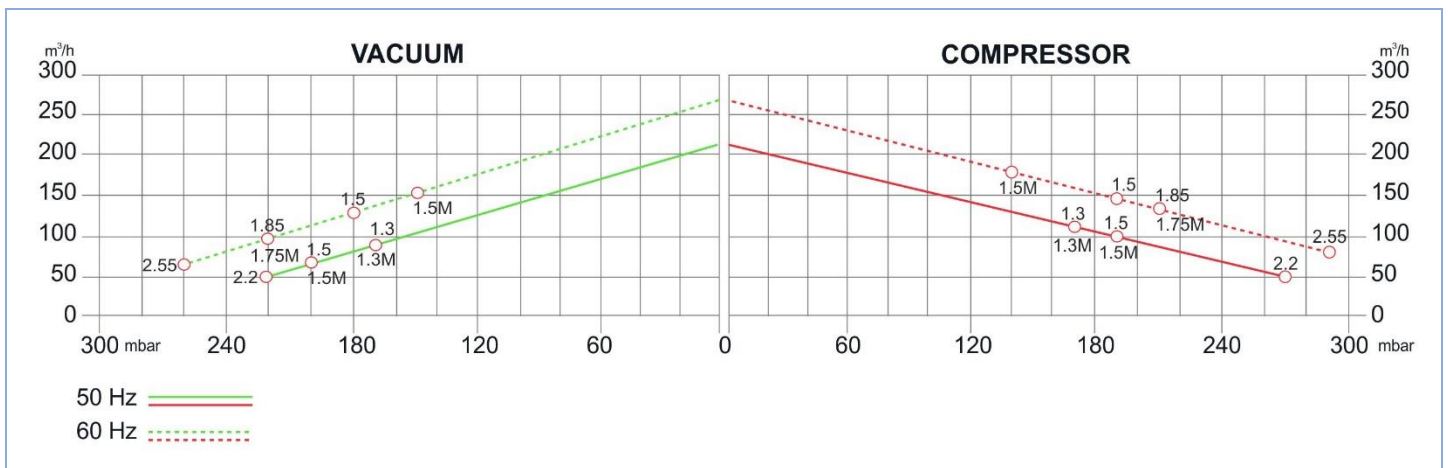
# SIDE CHANNEL BLOWERS

## BL 050 001 – Single Impeller



Construction of the ring blowers fans is based on the lateral ducts principle. The blowers can operate as either exhaust or compression fans and are designed for continuous service. The device is assembled directly on the motor shaft; all the rotating parts are dynamically balanced to ensure absolute absence of vibration. Full die-cast aluminum construction for maximum sturdiness and ease of handling. The characteristics data given here refer to the handling of gas with inlet temperature of 15°C, normal density of 1,23 kg/m<sup>3</sup> and absolute pressure of 1023 mbar. Tolerance of ±10%.

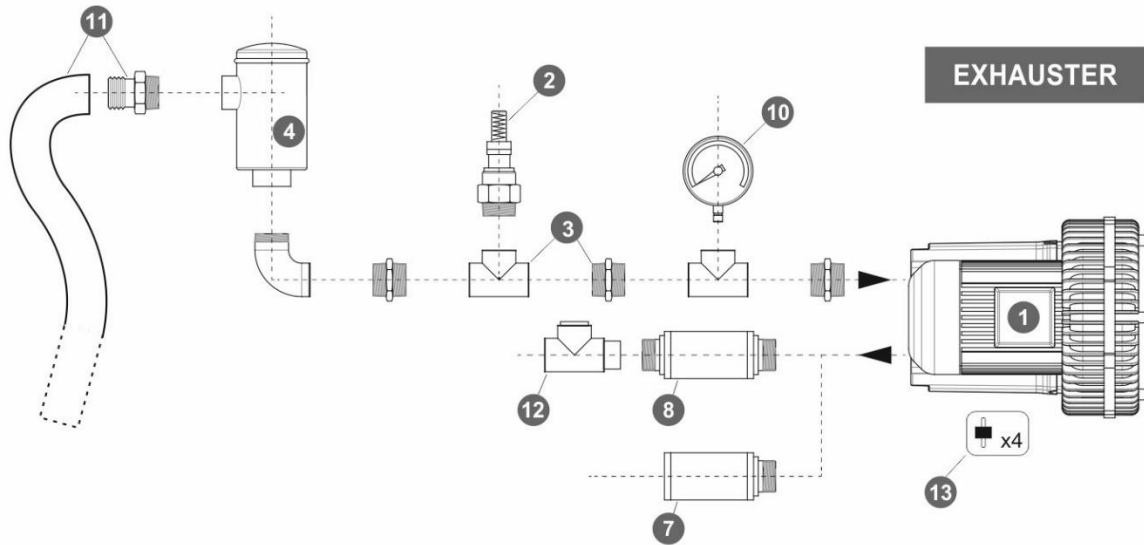
Model	Freq. [Hz]	Power [kW]	Voltage [V]		Rated Current [A]		Max Airflow [m <sup>3</sup> /h]	Rated VACUUM [mbar]	Rated COMPRESSOR [mbar]	Noise [dB A]	Weight [kg]
			Δ	Y	Δ	Y					
BL05000101300	50	1.3	200÷240	345÷415	6.6	3.8	210	-170	170	64	22
	60	1.5	220÷275	380÷480	6.9	4.0	255	-180	190	70	
BL05000101500	50	1.5	200÷240	345÷415	7.5	4.3	210	-200	190	64	23
	60	1.85	220÷275	380÷480	7.6	4.4	255	-220	210	70	
BL05000102200	50	2.2	200÷240	345÷415	9.7	5.6	210	-220	270	64	27
	60	2.55	220÷275	380÷480	10.3	6.0	255	-260	290	70	
BL050001M1300	50	1.3	200÷240		7.3		210	-170	170	64	21
	60	1.5			8.3		255	-150	140	70	
BL050001M1500	50	1.5	200÷240		9		210	-200	190	64	24
	60	1.75			9.5		255	-220	210	70	



MODEL	A	B	C	D	E	F	G	H	J	K	L	M	N	O	P	Q	ØR	S	U	(1-) V	(1-) V'	(3-) V1	(3-) V1'	W
BL05000101300						314	160		120															
BL05000101500																						M25X1.5	M16X1.5	
BL05000102200	334	337	120	260	295	346	191	175	128	115	155	96	87	48	G 2	83	14	4	M8x17					29
BL050001M1300																								
BL050001M1500																				M25X1.5	M16X1.5			

# SIDE CHANNEL BLOWERS

## BL 050 001 – Single Impeller



Ref. #	Description	Code
1	Side Channel Blower – Single Impeller / Single Stage – 2” connection	BL 050 001__
2	Safety Valve	BLSV032AL03
3	Installation kit safety valve	BLKS03250C
4	In-Line filter	Paper Polyester Stainless Steel 30 µ Stainless Steel 60 µ
5	Cartridge filter	BLIL050PA007 BLIL050PO025 BLIL050SS030 BLIL050SS060
6	Filter kit	Nipple Socket
7	Final Silencer	BLFS050ZP - BLFS050ZPR
8	In-Line silencer	BLIS050
9	Indoor filter	BLIF050ZP100
10	Gauge	Pressure Vacuum
11	Sleeve + Hose clip kit	BLSH050
12	Check valve	BLCV050AL
13	Anti-vibration pins	BLAV08

