



APP Sewage Pumps

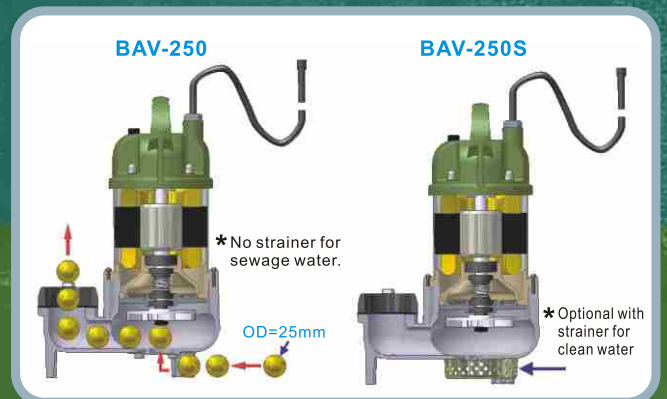
BAV Series

Features :

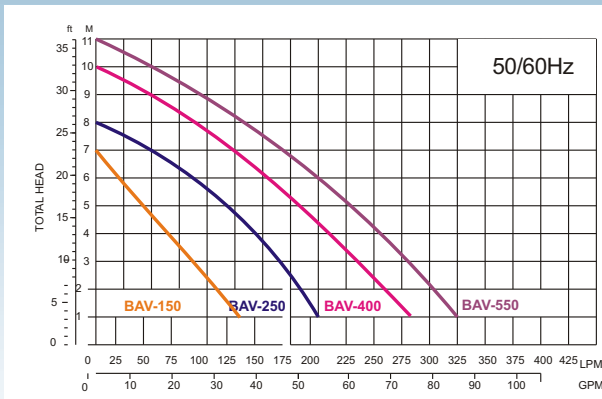
- Design-in non-clogging vortex impeller.
- Built-in thermal overload protector.
- Stainless steel motor housing.
- Available both for dewatering and sewage discharge.
- Passes solid diameter up to 30 mm.

Application:

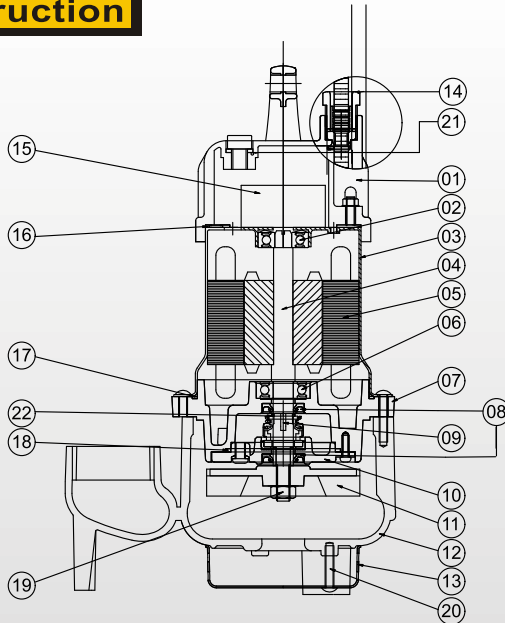
- With optional strainer for dirty water dewatering.
- Pool or fish pond water circulation, waterfall, fountain and garden sprinkling.
- Sump pit, waste water drainage and sewage pumping system.
- Sewage discharge of livestock production facility.



Performance



Construction



Remark: *Models with strainer, impellers are made of Nylon & Fiberglass.

NO.	Name	Description
01	Top Cover	Nylon+fiberglass
02	Upper Bearing	CNM5K
03	Motor Housing	SUS304
04	Shaft	SUS410
05	Stator	Silicon Steel
06	Lower Bearing	CNM5K
07	Seal Plate	FC200
08	Oil Seal	NBR
09	Me.Seal	CA/CE
10	Seal Cover	FC200
11	* Impeller	FC200
12	Pump Casing	FC200
13	Strainer	SUS304
14	Power cord set	H05RNF/H07RNF
15	Capacitor	PP
16	Cap Packing	NBR
17	O-Ring	NBR
18	O-Ring	NBR
19	Nut	SUS
20	Setting Screw	SUS
21	Plug Screw	COATED STEEL
22	C Retaining Ring	SUS

Specifications

Model	Output		Outlet		Rated		Maximum		Dimension	Weight	Pass Solid
	HP	W	mm	Inch	Head(M)	Flow(l/m)	Head(M)	Flow(l/m)	L x W x H (mm)	Kg	Dia(mm)
BAV-150	1/5	150	32	1 1/4"	3.5	60	7	130	190x130x280	5	10
BAV-250	1/3	250	40	1 1/2"	5	120	8	200	190x130x360	6	25
BAV-400	1/2	400	50	2"	5	180	10	280	200x135x285	6.5	30
BAV-550	3/4	550	50	2"	6	200	11	340	236x145x352	10	35

Remarks: Model No. ends with "S" is included with stainless steel strainer for dirty water discharge.



Hung Pump Group

16 Lien-Ming Street, Ba-De City 334,
Taoyuan, Taiwan
TEL:(886) -3-371-3969
FAX:(886) -3-371-3996
E-Mail: hungpump@ms9.hinet.net