

RV-32/40

RV-32

RV-40

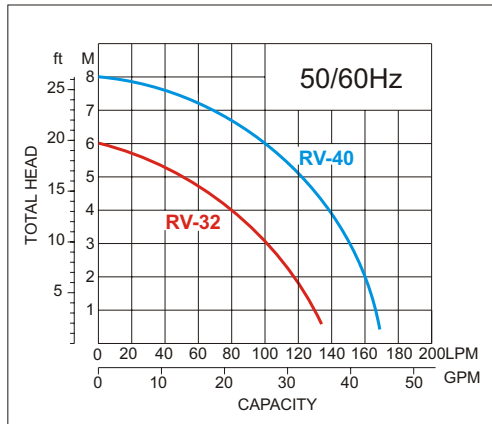
FEATURES:

- An innovative Sewage pump made of robust plastic material.
- Designed to run continuously without stopping for long time.
- Can pass solid up to 18 mm.
- Double volute chamber to barricade dirty stuff.

APPLICATIONS:

- For sewage reservoir water handling flood, waste water transfer, and basement drainage, etc.

Performance



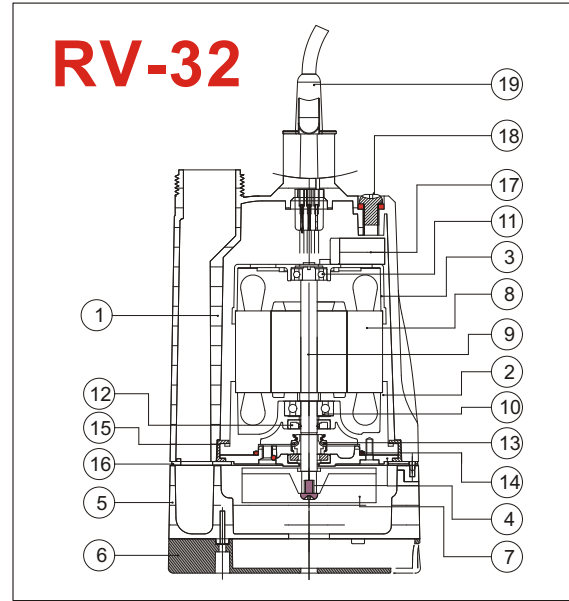
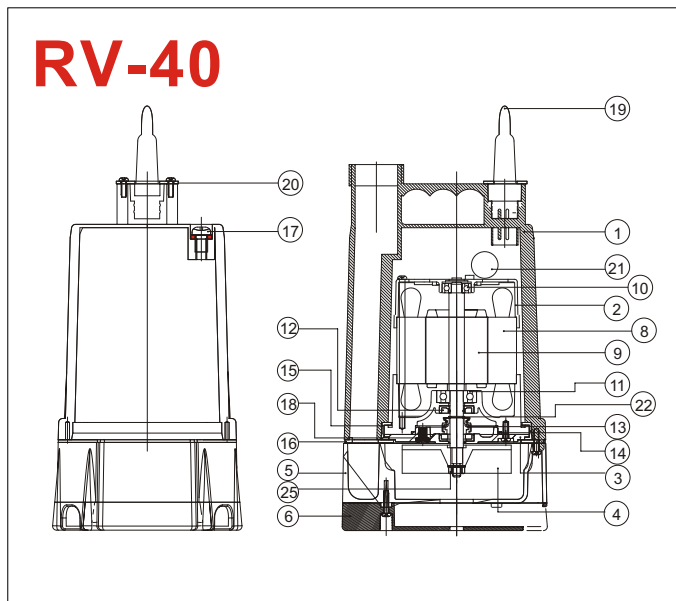
RV-40

No.	Description	Material
1	Motor Housing	PP+GF
2	Upper Brg. Cover	ACD12
3	Lower Brg. Cover	FC200
4	Seal Cover	SUS304
5	Pump Casing	PP+GF
6	Strainer	PP+GF
7	Impeller	PC+GF
8	Stator	LAMINATED STEEL
9	Shaft	SUS410
10	Bearing	CNM5K
11	Bearing	CNM5K
12	Oil Seal	NBR
13	Me. Seal	CA/CE
14	O-ring	NBR
15	Packing	NBR
16	Packing	NBR
17	Plug Screw	SUS304
18	O-ring	NBR
19	Cable	H07RNF
20	C type Cover	SUS304
21	Capacitor	ALUMINUM
22	C-Retaining Ring	SWP

RV-32

No.	Description	Material
01	Motor Housing	PP+GF
02	Lower Bearing Cover	FC200
03	Upper Bearing Cover	ADC12
04	Oil Seal Cover	SUS304
05	Pump Casing	PP+GF
06	Base	PP+GF
07	Impeller	Nylon+GF
08	Stator	Laminated Steel
09	Shaft	SUS410
10	Lower Bearing	CNM5K
11	Upper Bearing	CNM5K
12	Oil Seal	NBR
13	Mechanical Seal	CA/CE
14	O-Ring	NBR
15	Packing	NBR
16	Packing	NBR
17	Capacitor	PP
18	Plug Screw	Steel
19	Cord	H05RNF or H07RNF

Construction



Specifications

Model	Output		Outlet		Rated		Maximum		Dimension L x W x H (mm)	Weight Kg
	HP	W	mm	Inch	Head(M)	Flow(l/m)	Head(M)	Flow(l/m)		
RV-32	1/4	200	32	1-1/4"	4	80	6	130	154x143x345	3.9
RV-40	1/3	250	32	1-1/4"	5	120	8	170	154x143x345	5.9



Hung Pump Group

16 Lien-Ming Street, Ba-De City 334,
Taoyuan, Taiwan
TEL:(886) -3-371-3969
FAX:(886) -3-371-3996
E-Mail: hungpump@ms9.hinet.net