

TYPICAL APPLICATIONS

This pump may be used for general water transfer.

Do not use for flammable liquids.

PUMP

Type	3 Chamber Diaphragm
Ports	3/8" NPT Female
Flow	0.95 GPM [3.6 LPM] Max
Liquid	130 °F [54 °C] Max
Prime	9 feet [2.7 M]
Inlet PSI	30 PSI [2.1 Bar] Max
Run Dry	Yes

ELECTRICAL

Motor	24 VAC Permanent Magnet, Intermittent Duty
Leads	16 AWG 13" [33 cm] White - 13" [33 cm] Black +
Fuse	3 Amp Time Delay Recommended
Control	By-pass 80 PSI [5.5 Bar]

MATERIALS

Housing	Nylon
Valves	EPDM
Diaphragm	Santoprene

WARRANTY

2 Year Limited Warranty

Shipping

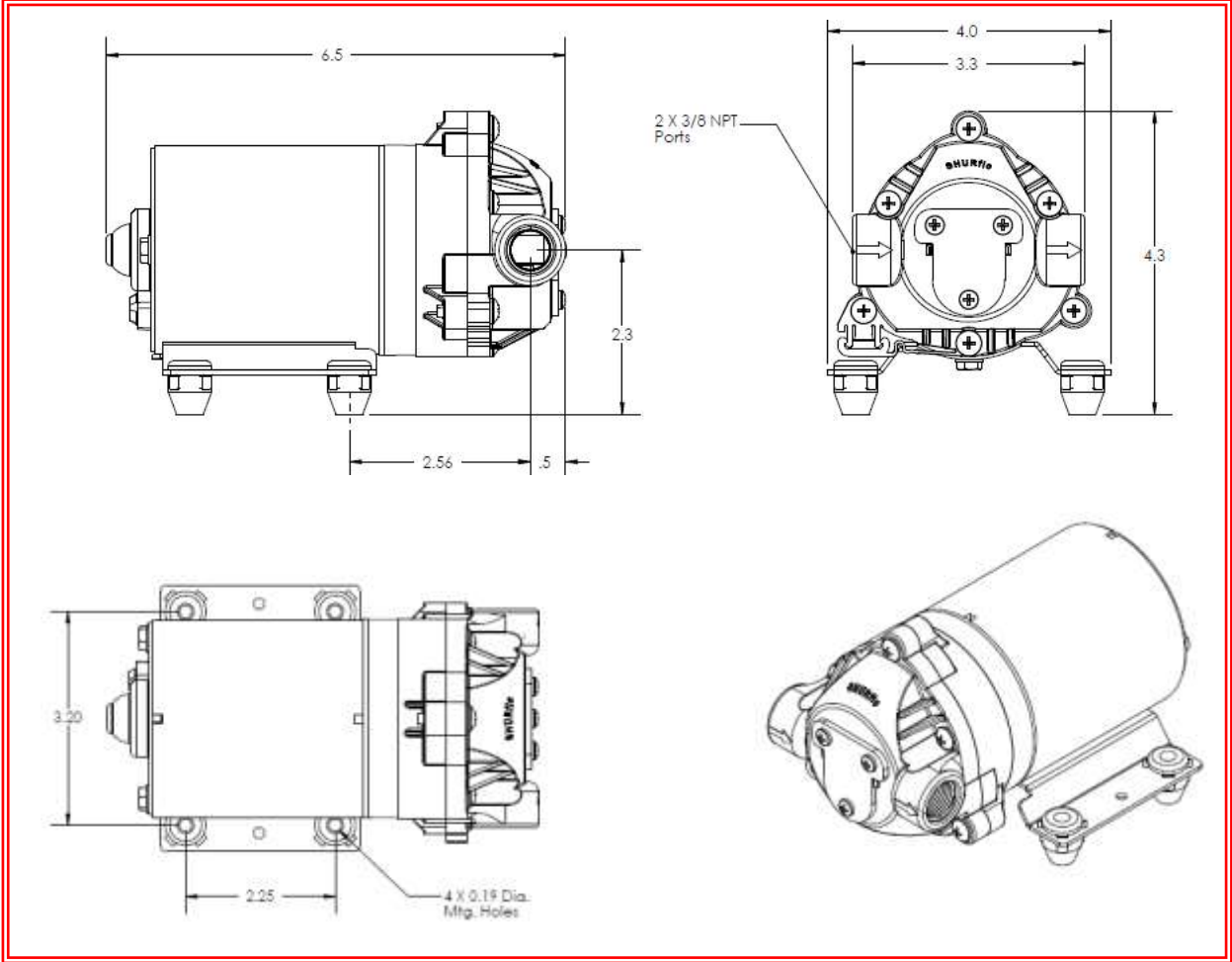
Net Weight (Boxed) 5 Lb [2.3Kg] each

Shurflo pump 8010-152-800



PRESSURE		FLOW		CURRENT
BAR	PSI	GPM	LPM	AMPS
0.0	0	0.9	3.6	1.5
1.4	20	0.7	2.6	1.8
4.1	60	0.4	1.5	2.2
5.5	80	0.2	0.8	2.5

Typical Dimensions



* ISO Registered Facility

SHURflo[®]
First in Fluid Innovation

SHURflo reserves the right to update specifications, prices, or make substitutions.