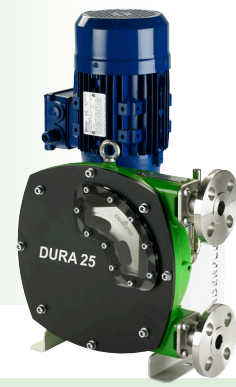
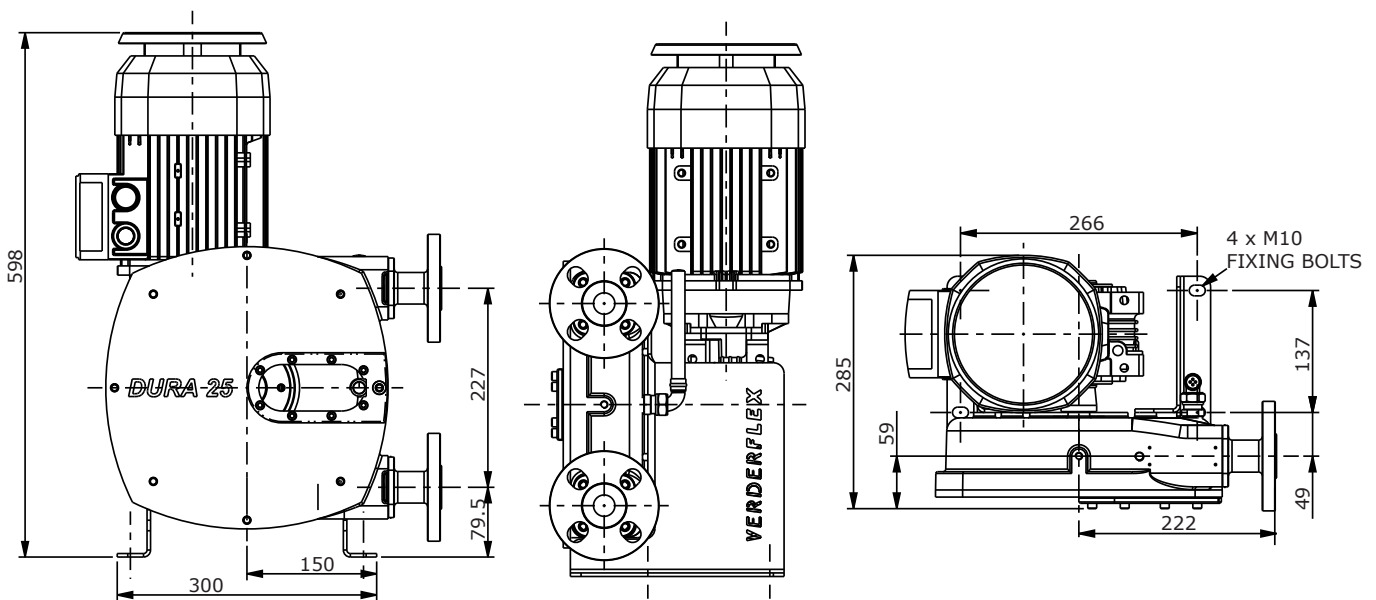


# Verderflex Dura 25



**VERDERFLEX®**

Description	Material	Paint Detail
Pump Housing	Cast Iron (GG25)	RAL 6018 (Green)
Front Cover	Powder Coated Carbon Steel with Polycarbonate Inspection Window	RAL 7021 (Black)
Rotor	Cast Iron (GG25) Option: Aluminium (LM25)	
Drive Shaft	EN24T Steel	
Flange	316 Stainless Steel Universal slotted design complies with DIN PN16, ANSI 150# & JIS10K Options: Polypropylene, PVDF & 316 Stainless Steel Hose Tail	
Base Frame	Powder Coated Carbon Steel	RAL 7035 (Grey)
Torque Arm	Carbon Steel	RAL 7021 (Black)
Bearing	Bearing Steel	
Shaft Seal	Viton Option: PTFE	
Lubricant	Verderlube - Glycerine based lubricant Verdersil - Silicone based lubricant	
Hose	Natural Rubber (NR) Options: Nitrile Buna Rubber (NBR) Ethylene Propylene Diene Monomer (EPDM), Food Grade Nitrile Buna (NBRF), Hypalon® (CSM) and Verderprene	
Weight	Complete pump excluding drive: <b>49 kg</b>	

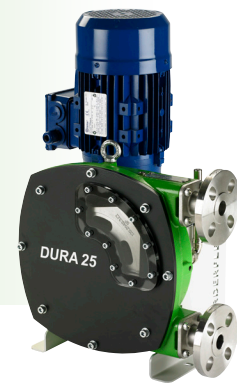


All dimensions are in mm.

All dimensions and weights are for guidance only.



# Verderflex Dura 25

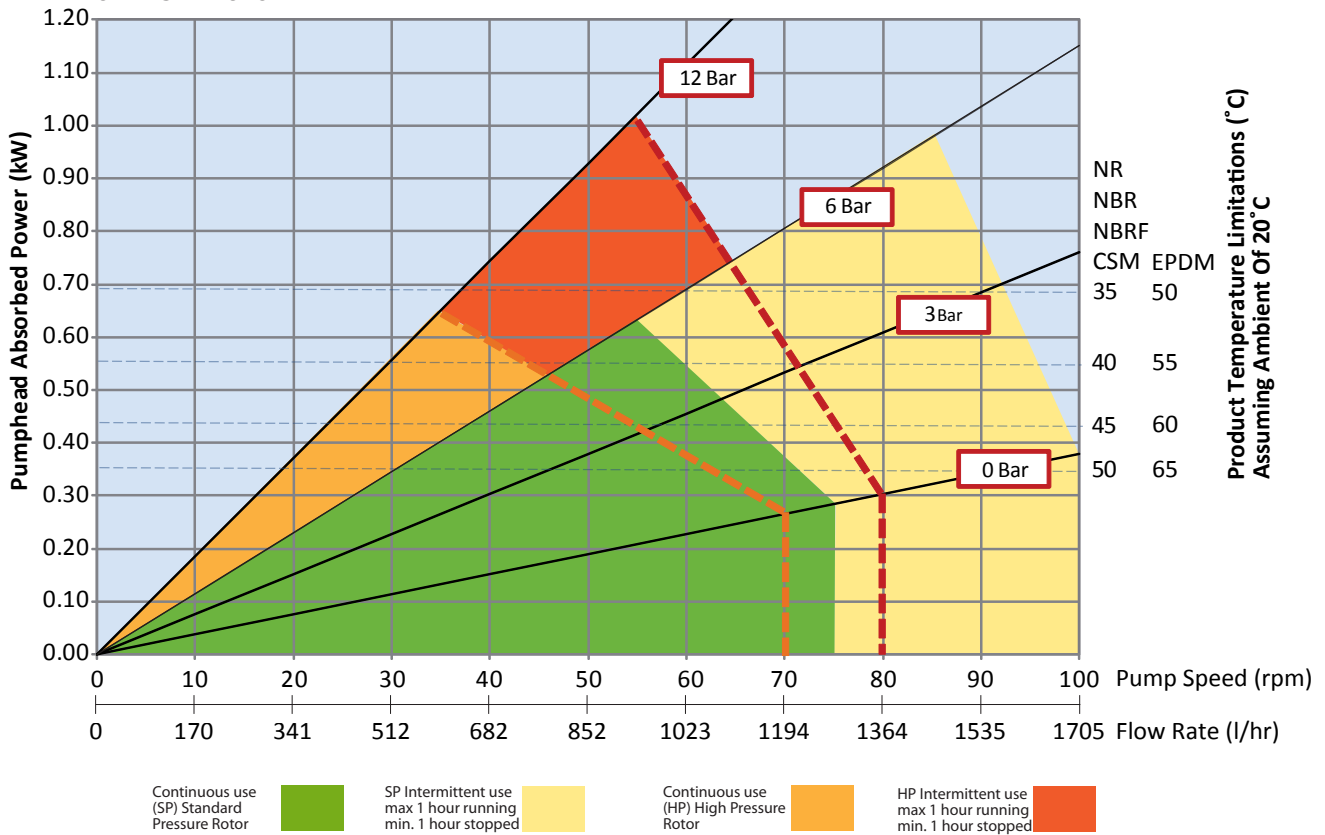


## Standard Pump Configurations

Flow (l/hr)	Pump Speed RPM	Installed Motor Power kW	Max Turndown at 6 Bar discharge pressure
255	15	0.37	1.5:1
392	23	0.55	2:1
596	35	0.75	1.5:1
801	47	0.92	1.5:1
954	56	1.1	2:1
1190	70	1.5	3:1

Any application below 15 Hz may require special review

Flows are typical and were measured with water at 20°C with no suction lift or discharge pressure. Actual flows will vary according to suction conditions, discharge pressure and normal component production tolerances.  
DURA PUMPS OPERATING ABOVE 8 BAR REQUIRE CONSULTATION WITH MANUFACTURER OR DISTRIBUTOR



Find your local supplier  
at [www.verderflex.com](http://www.verderflex.com)

For construction installation and floor mounting drawings  
please contact your local authorised Verderflex® distributor.

**VERDER**  
passion for pumps