



## NDP-05 Specifications

### Port Dimensions

Intake & discharge	1/4" Female BSPT
Air inlet (incl. ball valve):	1/4" Female BSPT
Air exhaust (internal silencer):	3/8" Female BSPT

### Maximum Liquid Temperature

Fitted with Teflon® (PTFE) diaphragm

Pump Material	Temperature
Polypropylene (PPG)	82° C (180° F)
Kynar® (PVDF)	100° C (212° F)
Groundable Acetal	82° C (180° F)
Aluminum (ADC-12)	100° C (212° F)
Stainless Steel (316)	100° C (212° F)

### Air Supply Pressure (All Models)

1,7 - 7 BAR (20-100 PSI)

### Discharge Volume Per Cycle

29 cc (0,0078 gallons)

**Maximum Cycles Per Minute:** 400

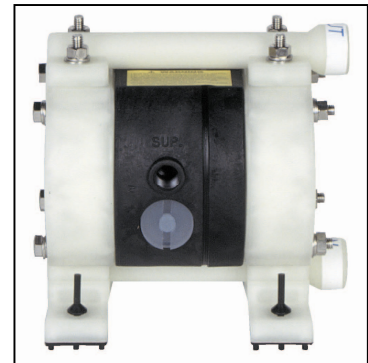
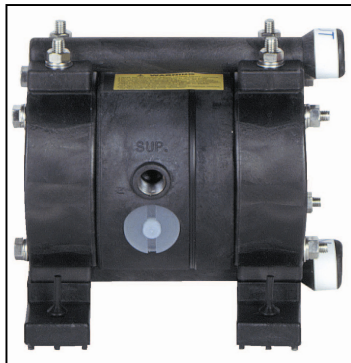
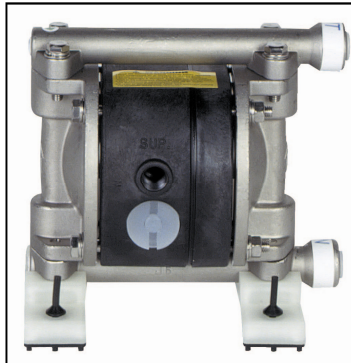
**Maximum Dry Suction Lift:** 1,5 mtr

### Pump Air Motor

Ryton® air motor standard

### Model Number Nomenclature

Polypropylene (PPG)	NDP-5FPT
Kynar® (PVDF)	NDP-5FPT
Groundable Acetal	NDP-5FPT
Aluminum (ADC-12)	NDP-5FPT
Stainless Steel (316)	NDP-5FPT



### Polypropylene

**Dimensions:** 156 mm W x 152 mm H

**Net Wt.:** 1,36 kg (3 lbs.)

**Shipping Wt.:** 1,81 kg (4 lbs.)

### Groundable Acetal

**Dimensions:** 156 mm W x 149 mm H

**Net Wt.:** 1,67 (3,7 lbs.)

**Shipping Wt.:** 2,1 kg (4,7 lbs.)

### Aluminum

**Dimensions:** 155 mm W x 149 mm H

**Net Wt.:** 1,5 kg (3,3 lbs.)

**Shipping Wt.:** 1,9 kg (4,3 lbs.)

### Kynar® (PVDF)

**Dimensions:** 156 mm W x 152 mm H

**Net Wt.:** 1,67 (3,7 lbs.)

**Shipping Wt.:** 2,1kg (4,7 lbs.)

### Stainless Steel

**Dimensions:** 155 mm W x 149 mm H

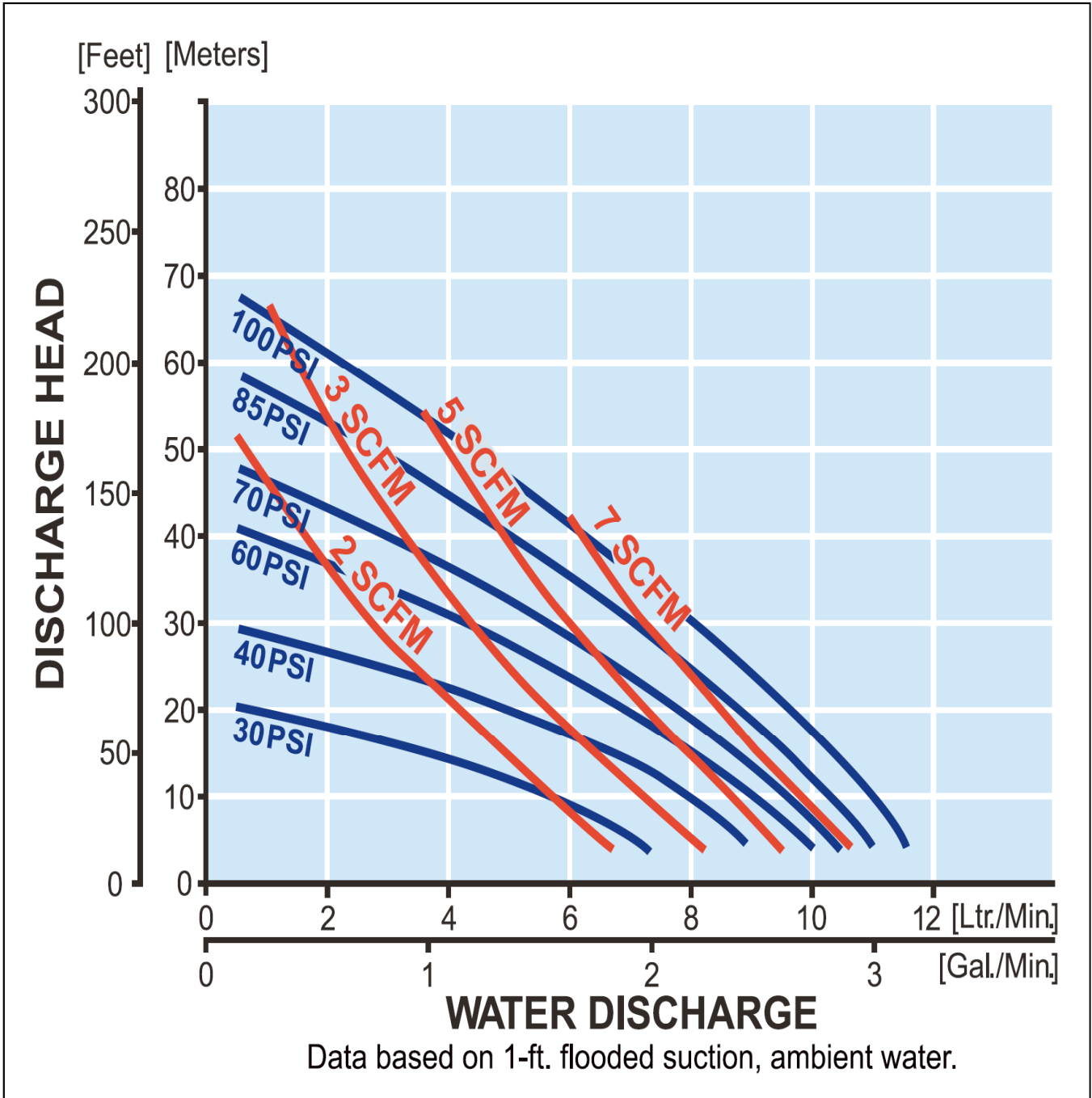
**Net Wt.:** 2,68 kg (5,9 lbs.)

**Shipping Wt.:** 3,1 kg (6,9 lbs.)

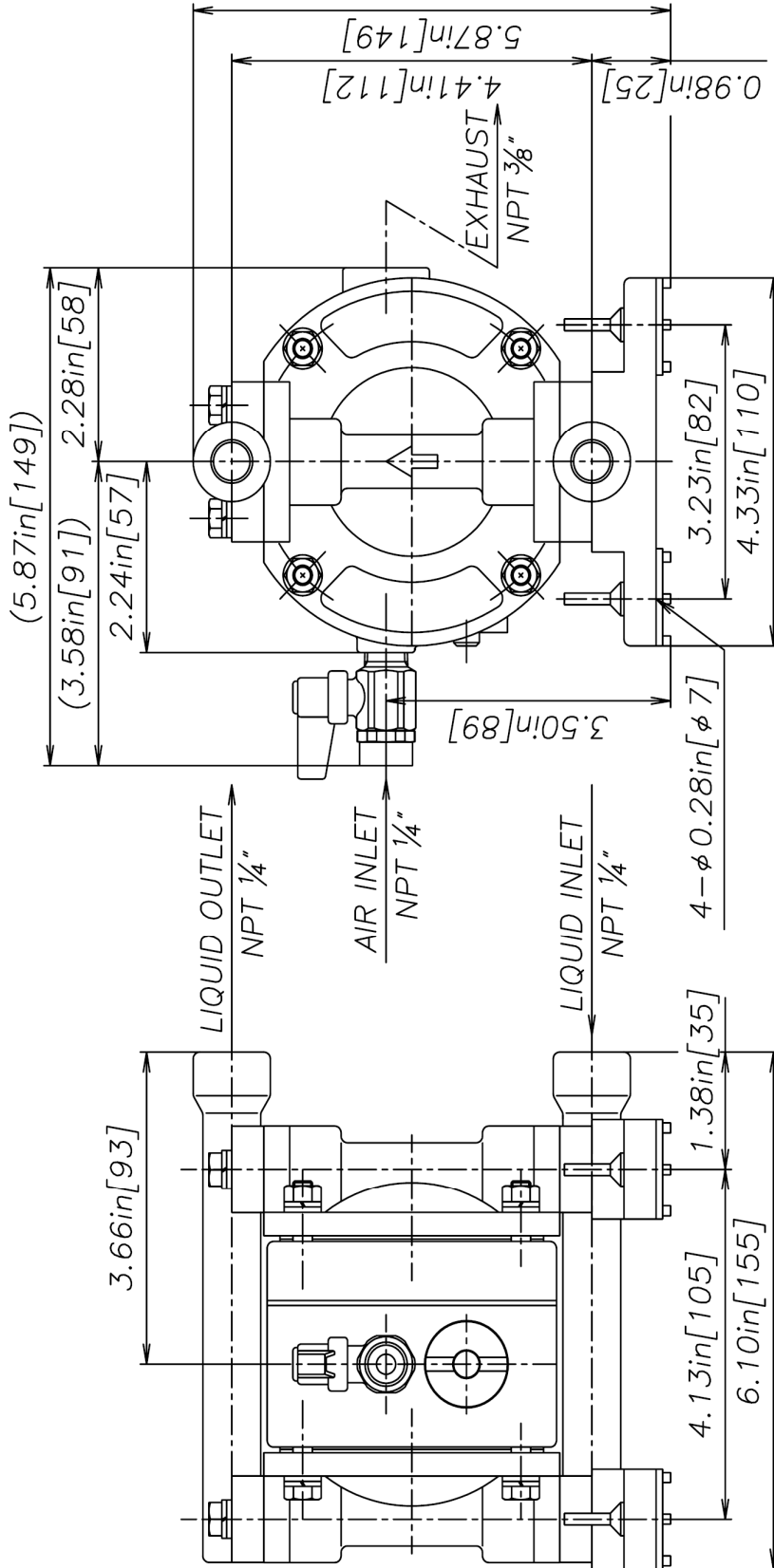


## NDP-05 Performance Curve

### All Diaphragm Materials

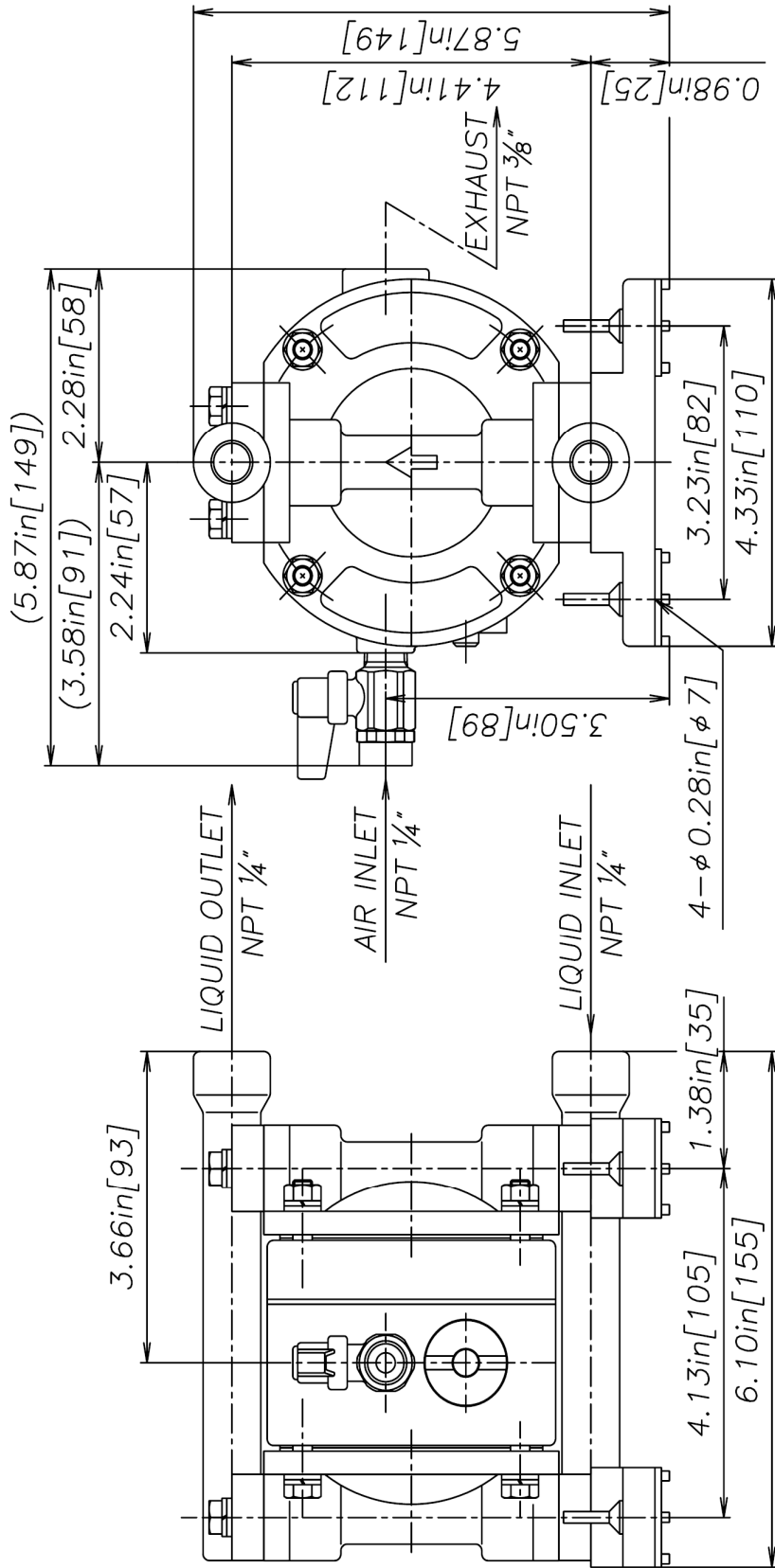


To calculate performance for Santoprene® and Hytrel®-fitted pumps, use Rubber Diaphragm Curve.



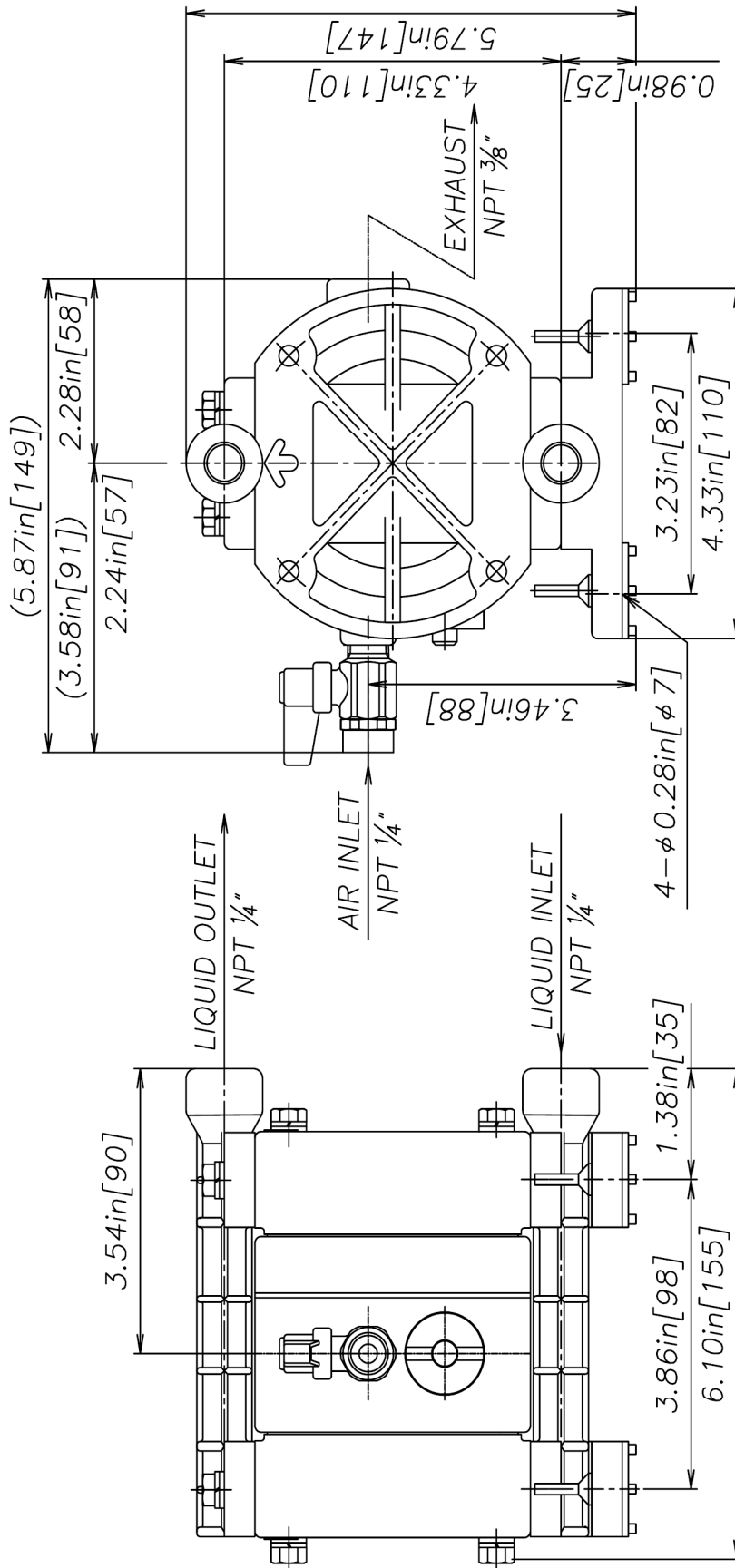
REV	DATE	DESCRIPTION	APPROD
THE DWG.OF:			
<b>DIAPHRAGM PUMP ASSEMBLY</b>			
SCALE 1 : 1		DRAWN BY YJI	
DATE 02/08/06		APPROVED BY S.K.	
THIRD REV	DRAWING NUMBER: NDP-5FA		0
ANG.PROJ.			

**YAMADA AMERICA, INC.**  
 1200 NUCLEAR DRIVE - WEST CHICAGO, ILLINOIS 60185  
 TOLL FREE 800-990-7867 OR 630-231-4083  
 THIS IS A CAD DRAWING AND MUST NOT BE ALTERED MANUALLY.



REV	DATE	DESCRIPTION	APPROD
THE DWG.OF:			
<b>DIAPHRAGM PUMP ASSEMBLY</b>			
SCALE	1 : 1	DRAWN BY	YJI
DATE	02/08/06	APPROVED BY	S.K.
THIRD ANG.PROJ.	DRAWING NUMBER:	NDP-5FS	
REV			0

**YAMADA AMERICA, INC.**  
 1200 NUCLEAR DRIVE - WEST CHICAGO, ILLINOIS 60185  
 TOLL FREE 800-990-7867 OR 630-231-4083  
 THIS IS A CAD DRAWING AND MUST NOT BE ALTERED MANUALLY.

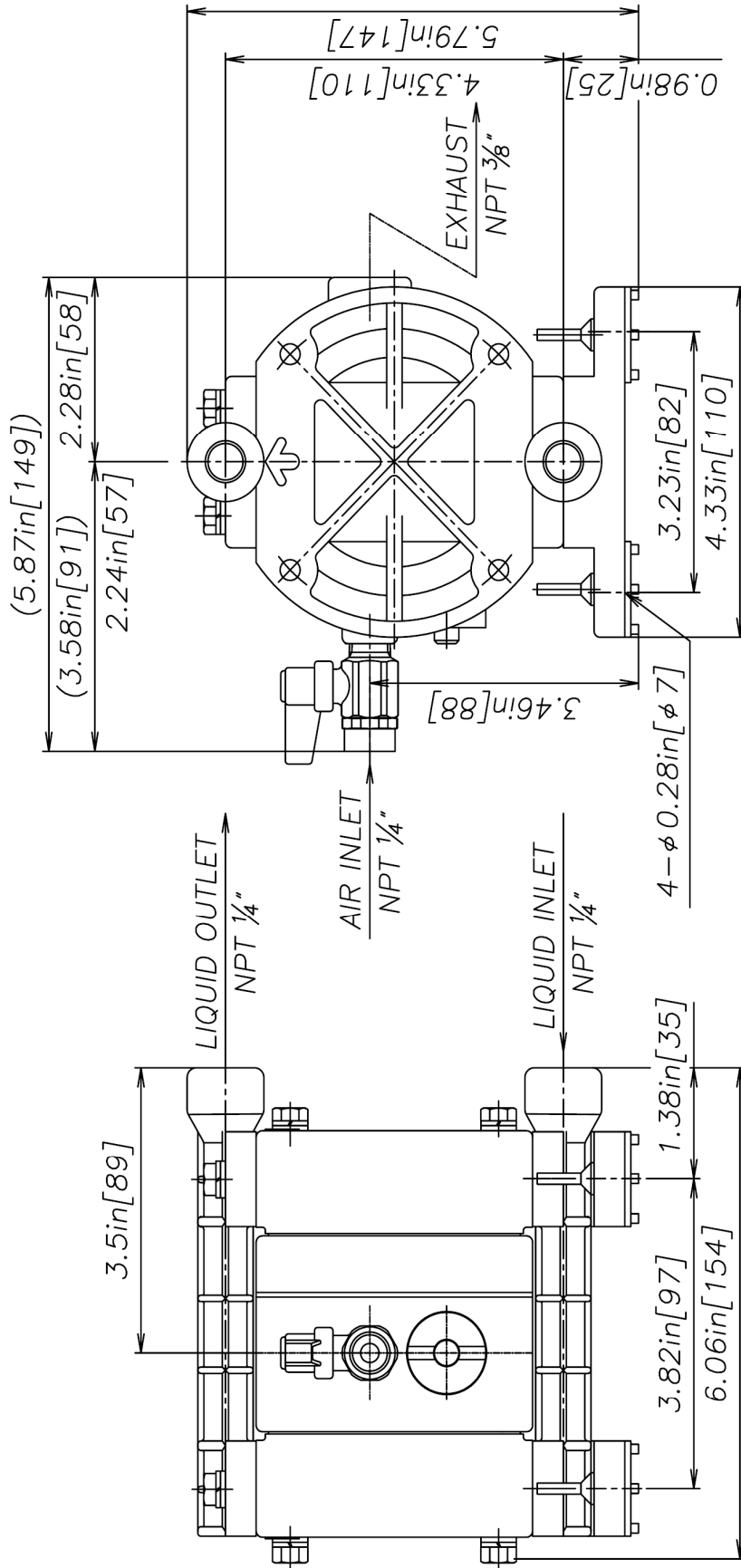


REV	DATE	DESCRIPTION	APPR'D
THE DWG. OF:			
<b>DIAPHRAGM PUMP ASSEMBLY</b>			
SCALE	1:1	DRAWN BY Y.JI	
DATE	02/10/06	APPROVED BY S.K.	
THIRD ANGRPOU.	DRAWING NUMBER: NDP-5FP/FD		
REV	0		

**YAMADA AMERICA, INC.**

1200 NUCLEAR DRIVE - WEST CHICAGO, ILLINOIS 60185  
TOLL FREE 800-990-7867 OR 630-231-4083

THIS IS A CAD DRAWING AND MUST NOT BE ALTERED MANUALLY.



REV	DATE	DESCRIPTION	APPR'D

THE DWG. OF: **DIAPHRAGM PUMP ASSEMBLY**

SCALE	1 : 1	DRAWN BY	Y.JI
DATE	02/10/06	APPROVED BY	S.K.
THIRD ANGRD.	DRAWING NUMBER: <b>NDP-5FV</b>		
REV	0		

**YAMADA AMERICA, INC.**  
 1200 NUCLEAR DRIVE - WEST CHICAGO, ILLINOIS 60185  
 TOLL FREE 800-990-7867 OR 630-231-4083  
 THIS IS A CAD DRAWING AND MUST NOT BE ALTERED MANUALLY.



AutoCAD® is a registered trademark of Autodesk, Inc.

Hytrel® is a registered trademark of E.I. du Pont de Nemours and Company.

Kynar® is a registered trademark of Arkema.

Nordel™ is a trademark of DuPont Dow Elastomers.

Ryton® is a registered trademark of Chevron Phillips Chemical Company.

Santoprene® is a registered trademark of Advanced Elastomers Systems.

Swagelok® & VCR® are trademarks of the Swagelok Companies.

Teflon® is a registered trademark of E.I. du Pont de Nemours and Company.

Viton® is a registered trademark of DuPont Performance Elastomers.

Due to Yamada's continued commitment to product improvement, specifications may change without notice.